

JANGRO Product Guide



Pine Floor Gel BD050-5



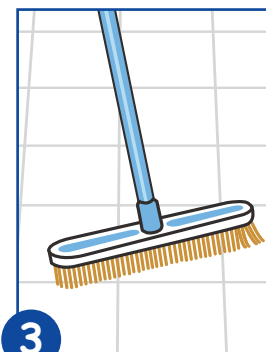
1

Put on PPE.



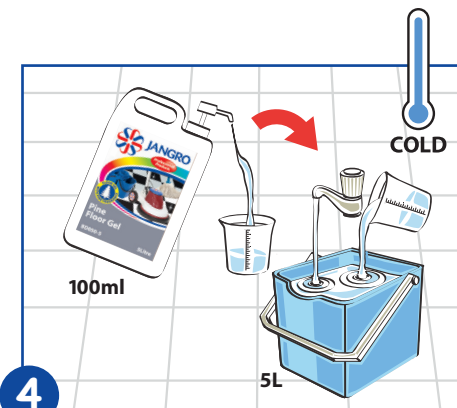
2

Place safety signs.



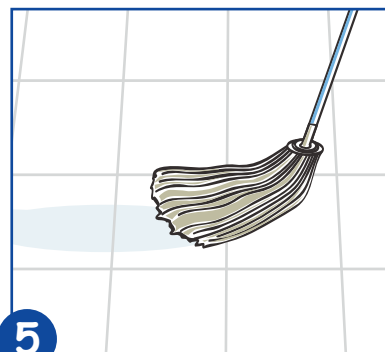
3

Sweep floor.



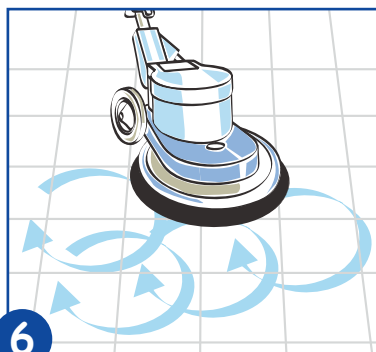
4

Dilute 100ml of solution per 5 litres of cold water in a bucket.



5

Mop floor.



6

When dry buff to a shine.



7

Once surface is dry remove safety signs.

Health & Safety
Please refer to relevant
COSHH Sheet.